

Genie® GTH™ -636

Specifications

Models	GTH-636	
Measurements	US	METRIC
Maximum lift height	36 ft	10.97 m
Maximum forward reach	21 ft 11 in	6.68 m
Reach at maximum height	1 ft 10 in	0.56 m
A Height, stowed	7 ft 10 in	2.39 m
B Length, stowed (without forks)	17 ft 10 in	5.44 m
Width	7 ft 11 in	2.41 m
C Wheelbase	10 ft 11 in	3.33 m
D Ground clearance, center	1 ft 3 in	0.38 m
E Ground clearance, axle	1 ft 5 in	0.43 m
Fork cross section	2×4 in	51×101 mm

Productivity

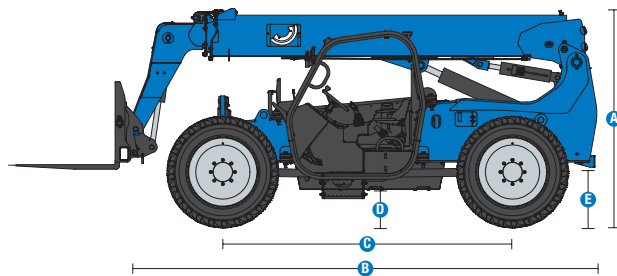
Maximum lift capacity	6,000 lb	2,722 kg
Lift capacity at maximum height	5,000 lb	2,268 kg
Lift capacity at maximum reach	1,500 lb	680 kg
Drive speed	18 mph	29 km/h
Boom up/down		10/8 sec
Boom extend/retract		11/9 sec
Draw bar pull	15,100 lb	6,849 kg
Frame leveling (side to side)		10°
Turning radius, outside (4WS)	13 ft 4 in	4.06 m
Auxiliary hydraulic flow	2-15 gpm	7.57-56.8 lpm
Auxiliary hydraulic pressure	3,000 psi	206.8 bar
Tires, standard size	13×28 in, 12 ply	0.33×0.71 m, 12 ply

Power

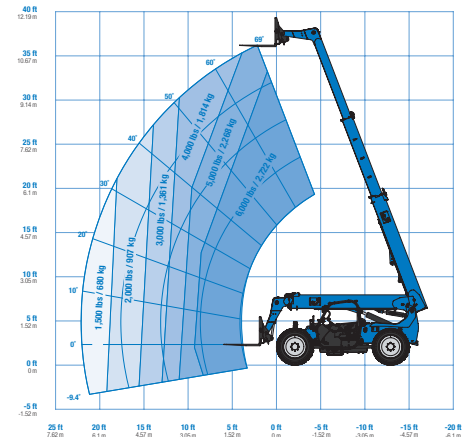
Power source	Diesel	
Electrical system voltage	12V	
Alternator	Deutz 2.9 TCD - 95 amp	
Battery	1000 CCA 0°F (-18°C)	
Hydraulic tank capacity	34.0 gal	128.7L
Hydraulic system capacity (w/tank)	46.5 gal	176.0L
Fuel tank capacity	27.0 gal	102.2L

Weight

Weight*	17,600 lb	7,983 kg
---------	-----------	----------



Range of motion GTH-636



(1) Weight will vary depending on options and/or country standards.
 (2) Load ratings vary depending on attachment.

Genie® GTH™ -636

SKU: Standard Model

- **GTH63601AF0085:** GTH-636, 74 hp, Open cab
- **GTH63601AF0086:** GTH-636, 74 hp, Open cab, Work lights, Flashing beacons

* Build to Order

SKU: Standard Model

- **GTH63601AF0088:** GTH-636, 74 hp, Closed cab w/ heater
- **GTH63601AF0090:** GTH-636, 74 hp, Closed cab w/ AC and heater

Option availability		S	S+	BtO
Cab	Open cab ROPS/FOPS canopy*	✓	✓	✓
	Closed cab: Heater, defrost, wipers, washer, split door*	✓	✓	✓
	Closed cab: AC, heater, defrost, wipers, washer, split door*	✓	✓	✓
	Front and top glass		○	○
	Lift Guard White Noise Alarm		○	○
	Rear Proximity Alarm		○	○
	Rear proximity alarm with back-up camera and display		○	○
	Fire extinguisher		○	○
	3in/7.6cm high visibility red retractable seat belt	✓	✓	✓
	Adjustable suspended seat	✓	✓	✓
	Backup alarm	✓	✓	✓
	Full gauge cluster with engine diagnostics	✓	✓	✓
	Fully proportional hydraulic boom controls	✓	✓	✓
	Machine level indicator	✓	✓	✓
	Mirrors - LH canopy mounted and RH chassis mounted	✓	✓	✓
	Multi-function joystick controller	✓	✓	✓
	Power steering	✓	✓	✓
	RH steel mesh screen	✓	✓	✓
Tilt steering wheel	✓	✓	✓	
Chassis	74 hp, Deutz TCD 2.9, T4f, Side-mounted engine	✓	✓	✓
	Powershift transmission (PS) 3-speed 74 hp	✓	✓	✓
	Telematics-ready	✓	✓	✓
	Lift Connect Telematics		○	○
	Lift Connect with Access Manager upgrade		○	○
	Cold weather package			○
	Electric block heater			○
	Extreme cold weather package			○
	Fenders set of four		○	○
	Lojack stolen vehicle recovery system			○
	Positive air shutdown system			○
	Flashing beacon		○	○
	Work lights: High output LED cab, boom, rear		○	○
	Road and work lights: High output LED front, cab, boom, rear		○	○
	Air filled Enduro A/T tires	✓	✓	✓
	Foam filled Enduro A/T tires		○	○
	Solid rough terrain tires		○	○
	Lockable battery disconnect		○	○
3-mode power steering (2-wheel, 4-wheel coordinated and crab)	✓	✓	✓	
Frame leveling +/- 10 degrees	✓	✓	✓	
Full time 4WD with front limited slip differential (LSD)	✓	✓	✓	
Internal multiple wet disc brakes	✓	✓	✓	
Spring applied, hydraulic release parking brake	✓	✓	✓	
Boom	Genie manual Quick-Attach (QA) system	✓	✓	✓
	Auxiliary hydraulic circuit (15 GPM)	✓	✓	✓
	Boom angle indicator	✓	✓	✓
	Lifting shackle at boom tip	✓	✓	✓
	Self-leveling fork frame	✓	✓	✓
Attachment	QA Carriage, 48in/1.2m	○	○	○
	QA Carriage, 60in/1.6m	○	○	○
	QA Carriage, 72in/1.8m	○	○	○
	QA Side tilt (rotating) carriage, 48in/1.2m	○	○	○
	QA Side tilt (rotating) carriage, 60in/1.5m	○	○	○
	QA swing carriage, 72in/1.8m (45 deg L/R)	○	○	○
	Pallet forks, 48in (2×4×48in)/(.05x.1×1.2m) - set of 2	○	○	○
	Pallet forks, 60in (2×4×60in)/(.05x.1×1.5m) - set of 2	○	○	○
	Pallet forks, 72in (2×4×72in)/(.05x.1×1.8m) - set of 2	○	○	○
	Cubing tines, 48in (2×2×48in)/(.05x.05×1.2m) - set of 6	○	○	○
Lumber forks, 60in (1.75×7×60in)/(.04x.18×1.5m) - set of 2	○	○	○	

*Choose from either Open cab or Closed cab/ Heater only or AC and Heater

- S Standard
- S+ Standard +
- BtO Build to Order
- ✓ Standard Features
- Options



Side Mounted Engine



Lift Shackle



Long Life Tires



Other Accessories⁽¹⁾

- Fire extinguisher

(1) More accessories available from Genie Genuine Parts.

Product specifications are subject to change without notice or obligation. Photographs and/or drawings herein are for illustrative purposes only. Refer to the appropriate Operator's Manual for instructions on proper equipment use. Failure to follow instructions in the Operator's Manual may result in serious injury or death. The only warranty applicable to our equipment is the standard written warranty applicable to the particular product and sale and we make no other warranty, express or implied. Products and services listed may be trademarks, service marks or trade names of Terex Corporation and/or their subsidiaries in the USA and many other countries. Terex, Genie, Quality By Design, Xtra Capacity, Lift Power, Lift Guard, Lift Tools, Lift Connect and Tech Pro Link are registered trademarks of Terex Corporation or its subsidiaries.