

R2632

ELECTRIC SCISSOR LIFT

SCISSOR LIFT



KEY SPECS

Platform Height

Indoor: 25.5-ft / 7.8-m
Outdoor: 21-ft / 6.4-m

Platform Capacity

Indoor: 507-lb / 230-kg
Outdoor: 275-lb / 125-kg

Number of Occupants

Indoor: 2
Outdoor: 1

Stowed Drive Speed

2.2 mph / 3.5 km/h

KEY FEATURES

- Delivers industry-exclusive outdoor rating for use up to 21-ft to reach more in difficult conditions.
- Active pothole protection provides increased ground clearance to tackle demanding terrain.
- Ability to pass through single doorways gives you more access site-wide.
- Complies with A92.20 ANSI regulations, achieving the highest standards.

ACCESSORIES & OPTIONS

- 4 x 6V AGM Batteries, 220 ah
- 4 x 6V Batteries, 255 ah
- 900W Inverter
- Anti-Vandalism Package
- CAN-Enabled Charger
- Coiled Platform Control Box Cable
- Drive Motor Covers
- Dual Flashing Amber Beacons - LED
- MDI (Ground)
- Panel Carrier
- Pipe Racks
- SkySense® Enhanced Detection System
- USB Charger & Phone Holder
- Workstation
- White Noise Alarm

STANDARD SPECIFICATIONS

| Performance | Indoor | Outdoor |
|--------------------------------|---------------------------------|---------------------------------|
| Platform Height (Elevated) | 25.5-ft / 7.8-m | 21-ft / 6.4-m |
| Platform Capacity | 507-lb / 230-kg | 275-lb / 125-kg |
| Capacity on Platform Extension | 265-lb / 120-kg | 265-lb / 120-kg |
| Number of Occupants | 2 | 1 |
| Lift / Lower Time (No Load) | 33/36 seconds | 33/36 seconds |
| Lift / Lower Time (Rated Load) | 39/29 seconds | 39/29 seconds |
| Maximum Drive Height | Fully Elevated | 21-ft / 6.40-m |
| Weight* | 4,280-lb / 1,941-kg | 4,280-lb / 1,941-kg |
| Max. Ground Bearing Pressure | 92 psi / 6.2 kg/cm ² | 92 psi / 6.2 kg/cm ² |
| Drive Speed (Lowered) | 2.2 mph / 3.5 km/h | 2.2 mph / 3.5 km/h |
| Drive Speed (Raised) | 0.5 mph / 0.8 km/h | 0.5 mph / 0.8 km/h |
| Gradeability | 25% | 25% |
| Max Tilt Rating (Side-to-Side) | 1.50 Degrees | 1.50 Degrees |
| Max Tilt Rating (Fore and Aft) | 3.50 Degrees | 3.50 Degrees |
| Turning Radius (Inside) | Zero | Zero |
| Turning Radius (Outside) | 88.2-in / 2.24-m | 88.2-in / 2.24-m |

*Certain options or country standards increase weight

Power

| | |
|-----------|-----------------------|
| Batteries | 4 x 6V 220 amp-hr |
| Charger | 27 Amp |
| Drive | Hydraulic Front Wheel |

Tires

| | |
|----------|--------------------------|
| Standard | 16 x 5-in / 406 x 127-mm |
|----------|--------------------------|

Brakes

Multi-Disc Friction

Hydraulic System

| | |
|----------|-------------------------|
| Capacity | 4.8 gal / 18 L |
| Pump | Fixed Displacement Gear |

STANDARD FEATURES

- 27 amp Multi-Function Universal Charger
- AC Receptacle in Platform
- Active Pothole Protection System
- All Motion Alarm
- Analyzer Port for Diagnostics
- Battery Condition Indicator
- ClearSky Smart Fleet™ Hardware (CS550)**
- Diamond Tread Steel Deck
- Dynamic Braking
- Foot-Actuated Deck Extension
- Fork Lift Pockets
- Greaseless Kingpin Joints
- Horn
- Hourmeter
- Lanyard Attach Points
- LED Motion/Amber Beacon (CS550)**
- Lifting and Tie Down Points
- Load Sensing System
- Lubrication Free Scissor Arm Bushings
- Manual Descent Cable
- Movable, Removable Platform Control
- Nickel Plated Pins
- Proportional Controls
- Removable Ladder
- Scissor Maintenance Prop
- Self-Closing Gate
- Steel Swing-Out Doors
- Tilt Alarm and Light
- Variable Tilt Visual Zone Indicator

**Standard beacon and ClearSky Smart Fleet hardware availability varies by model throughout 2023.

R2632

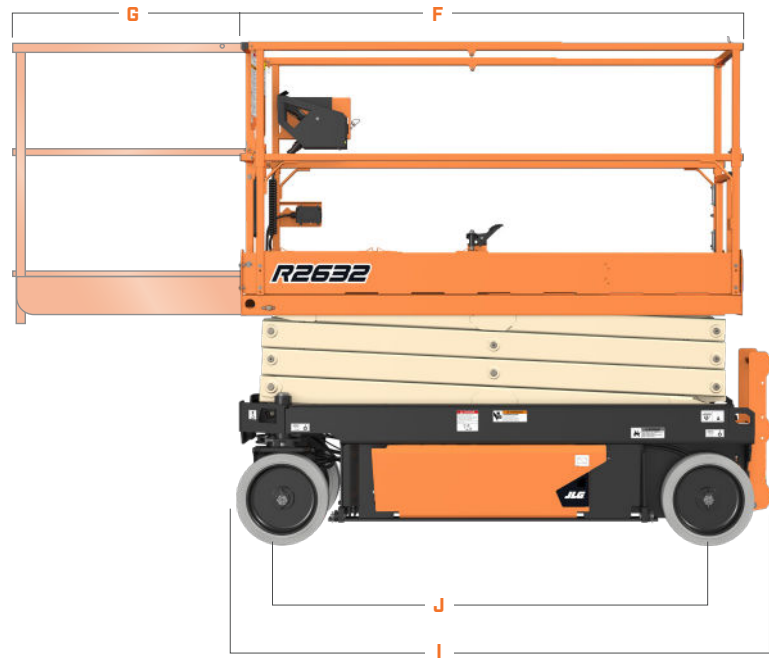
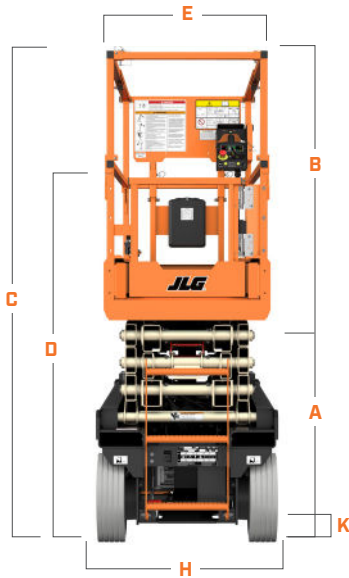
ELECTRIC SCISSOR LIFT

SCISSOR LIFT



DIMENSIONS

All dimensions are approximate



| | |
|-----------------------------------|------------------|
| A. Platform Height (Lowered) | 43.6-in / 1.11-m |
| B. Platform Railing Height | 44.6-in / 1.13-m |
| C. Machine Height (Rails Raised) | 88.2-in / 2.24-m |
| D. Machine Height (Rails Lowered) | 70.3-in / 1.79-m |
| E. Platform Width | 25.4-in / .64-m |
| F. Platform Length | 84.0-in / 2.13-m |
| G. Platform Extension | 34-in / 86.5-cm |

| | |
|---------------------|-----------------|
| H. Machine Width | 32-in / 81-cm |
| I. Machine Length | 94.3-in / 2.4-m |
| J. Wheelbase | 74-in / 1.88-m |
| K. Ground Clearance | 3.9-in / 9.8-cm |



We provide coverage for one (1) full year, and cover all specified major structural components for five (5) years. Due to continuous product improvements, we reserve the right to make specification and/or equipment changes without prior notification. This machine meets or exceeds applicable ANSI and CSA requirements based on machine configuration as originally manufactured for intended applications. Please reference the serial number plate on the machine for additional information.



JLG INDUSTRIES, INC.
Toll-free US 877-JLG-LIFT
JLG.com

An Oshkosh Corporation Company