

# 400SC

## TELESCOPIC CRAWLER BOOM LIFT

BOOM LIFT



### KEY SPECS

#### Platform Height

39-ft 6.5-in / 12.05-m

#### Horizontal Outreach

33-ft / 10-m

#### Drive Speed

1.6 mph / 2.57 km/h

#### Platform Capacity

Restricted: 1,000-lb / 454-kg  
Unrestricted: 600-lb / 272-kg

### KEY FEATURES

- Delivers industry-leading dual capacity power with 600-lb unrestricted/1,000-lb restricted capacity, allowing operators to carry more tools.
- Utilizes variable-speed engine controls to reduce operating costs and engine wear and tear.
- Provides 360 Degrees of continuous rotation that lets operators reach more and reposition less.
- Complies with A92.20 ANSI regulations, achieving the highest standards.

### ACCESSORIES & OPTIONS

- 1/2-in Airline to Platform
- AC Generator, 2500W or 4000W
- Accessory Packages:
  - SkyGlazier® Package
  - SkyPower® Package
  - SkyWelder® Package
- Arctic Package<sup>1</sup>
- Bolt-on Fall Arrest System
- Cold Weather Start Package<sup>2</sup>
- Light Package
- Platform Mesh to Mid or Top Rail, Plastic
- Platforms
  - Drop Bar, 30 x 36-in, 30 x 60-in, 36 x 72-in, 36 x 96-in
  - Fall Arrest, Rear Entry, 36 x 72-in, 36 x 96-in
  - Inward Self-Closing Swing Gate, 30 x 60-in, 36 x 72-in, 36 x 96-in
- Tri-Entry, Drop Bar or Swing Gate, 36 x 72-in, 36 x 96-in
- SkySense® Enhanced Detection System
- Soft Touch
- Storage Tray - Center or Corner

### STANDARD SPECIFICATIONS

#### Performance

Platform Height	39-ft 6.5-in / 12.05-m
Horizontal Outreach	33-ft / 10-m
Swing	360 Degrees Continuous
Platform Capacity (Restricted)	1,000-lb / 454-kg
Platform Capacity (Unrestricted)	600-lb / 272-kg
Platform Rotator	180 Degrees Hydraulic
Weight*	14,559-lb / 6,603-kg
Max. Ground Bearing Pressure	5.21 psi / .366 kg/cm <sup>2</sup>
Drive Speed	1.6 mph / 2.57 km/h
Gradeability	51%
Tilt Cut Out	5 Degrees
Type of Tracks	Rubber
Track Width	15.7-ft / 4-m

#### Engine

Diesel Fuel – Deutz D2.9L4 Tier 4 Final	49 hp / 36.4 kW
Fuel Tank Capacity	22 gal / 83.3 L

#### Tracks

Standard	Steel Tracks
Optional	Steel Tracks with Rubber Pads Non-Marking Rubber Tracks

#### Hydraulic System

Hydraulic Reservoir	36 gal / 136.27 L
Auxiliary Power	12V DC

### STANDARD FEATURES

- 5 Degree Tilt Alarm/ Indicator Light
- 12V-DC Auxiliary Power
- 110V-AC Receptacle in the Platform
- All Motion Alarm
- Articulating Jib
- ClearSky Smart Fleet™ Hardware (CS550)\*\*
- Control ADE® System
- Engine Distress Shutdown – Selectable via Analyzer
- Engine Distress Warning
- Gull-Wing Hoods
- Hourmeter
- Hydrostatic Drive
- LED Motion/Amber Beacon (CS550)\*\*
- Lifting/Tie Down Lugs
- Load Sensing System
- Oscillating Axle
- Platform Console Machine
- Proportional Controls
- SkyGuard SkyLine™
- Platform Console Machine Status Light Panel\*\*\*
- Swing-Out Engine Tray

\*Certain Options or Country Standards Increase Weight.

\*\*Standard Beacon and ClearSky Smart Fleet Hardware Availability Varies by Model Throughout 2023.

\*\*\*Provides Indicator Lights at Platform Control Console for System Distress, Low Fuel, Degree Tilt Light and Foot Switch Status.

1. Includes arctic hydraulic hoses (drive and steer only) and main boom cable, arctic hydraulic oil, extreme cold engine oil, fuel conditioner, engine block heater, battery blanket, glow plugs, hydraulic tank heater, and oversized footswitch.  
2. Includes battery blanket, hydraulic tank heater, block heater.

Note: Some options may increase lead time, and some option combinations may not be available.

Additional accessories and options available via JLG Aftermarket.

# 400SC

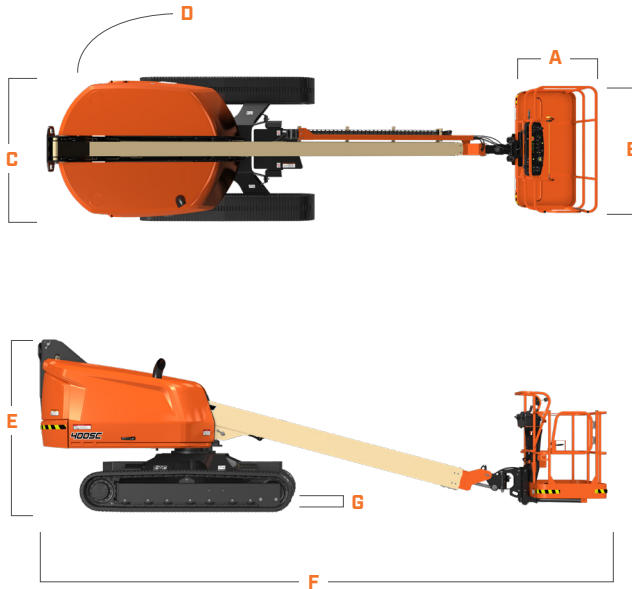
## TELESCOPIC CRAWLER BOOM LIFT

BOOM LIFT



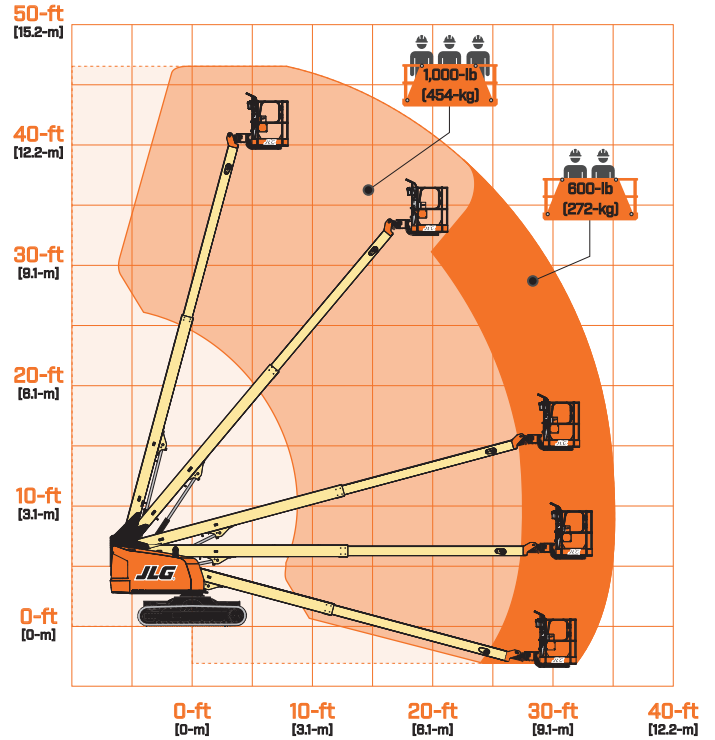
### DIMENSIONS

All dimensions are approximate



A.	Platform Width	36-in / 91-cm
B.	Platform Length	96-in / 2.44-m
C.	Machine Width	7-ft 4-in / 2.23-m
D.	Tailswing	3-ft 2-in / 96-cm
E.	Machine Height	7-ft 7.5-in / 2.32-m
F.	Machine Length	24-ft 10-in / 7.57-m
G.	Ground Clearance	16-in / 41-cm

### REACH DIAGRAM



We provide coverage for one (1) full year, and cover all specified major structural components for five (5) years. Due to continuous product improvements, we reserve the right to make specification and/or equipment changes without prior notification. This machine meets or exceeds applicable ANSI and CSA requirements based on machine configuration as originally manufactured for intended applications. Please reference the serial number plate on the machine for additional information.



**JLG INDUSTRIES, INC.**  
Toll-free US 877-JLG-LIFT  
[JLG.com](http://JLG.com)

An Oshkosh Corporation Company