

Specifications

Model	GTH™ -5519	
Measurements	US	Metric
Maximum lift height	18 ft 10 in	5.74 m
Maximum forward reach	11 ft 3 in	3.43 m
Reach at maximum height	1 ft 10 in	0.56 m
▲ Height, stowed	6 ft 6 in	1.98 m
▲ Length, stowed (without forks)	12 ft 3 in	3.73 m
Width	5 ft 11 in	1.80 m
▲ Wheelbase	7 ft 6 in	2.29 m
▲ Ground clearance, center	1 ft 2 in	0.36 m
▲ Ground clearance, axle	10 in	0.25 m
Fork cross section	1.6 x 4 in	40 x 100 mm

Productivity

Maximum lift capacity	5,500 lbs	2,495 kg
Lift capacity at maximum height	4,400 lbs	1,996 kg
Lift capacity at maximum reach	1,900 lbs	862 kg
Drive speed	15 mph	24.1 km/h
Draw bar pull	10,250 lbs	4,649 kg
Break out force	8,100 lbs	3,674 kg
Turning radius, outside (4WS)	11 ft	3.35 m
Auxiliary hydraulic flow	17 gpm	64 lpm
Auxiliary hydraulic pressure	3,918 psi	270 bar
Tires, standard size	12 x 16.5 in, 10 ply	

Power

Power source	Deutz TD 2.9 L04 Tier 4f diesel 74 hp (55.4 kW)	
Electrical system	System voltage 12 volt Alternator 95 amp Battery 720 CCA at 0°F (-18°C)	
Hydraulic tank capacity	18.5 gal	70 L
Hydraulic system capacity (w/tank)	31.7 gal	120 L
Fuel tank capacity	15.8 gal	59.8 L

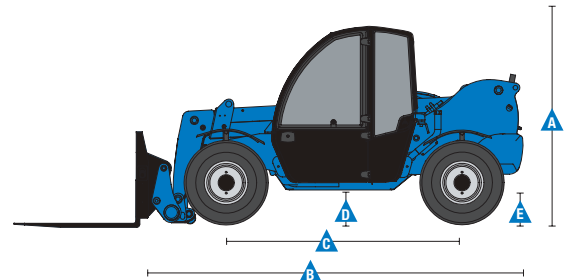
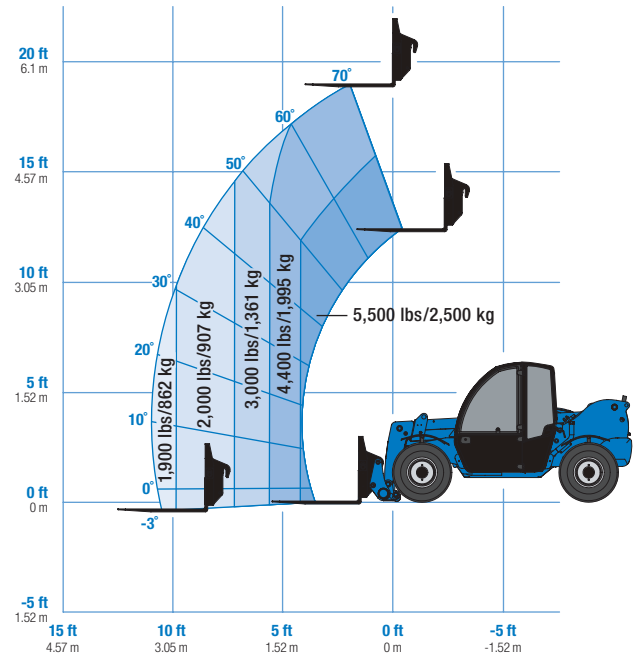
Weight*

	10,360 lbs	4,700 kg
--	------------	----------

Standards Compliance

ANSI/ITSDF B56.6, CSA B335

Load Chart GTH™ -5519**



* Weight will vary depending on options and/or country standards.
** Load ratings vary depending on attachment.

Features

Standard Features	Options & Accessories	Options & Accessories
<p>Measurements</p> <ul style="list-style-type: none"> • 5,500 lb (2,500 kg) maximum lift capacity • 18 ft 10 (5.74 m) maximum lift height • 11ft 3in (3.43m) maximum reach <p>Productivity</p> <ul style="list-style-type: none"> • Full time 4WD • 4WS • Operator selectable front, crab, coordinated steering modes • Auxiliary hydraulic circuit • Proportional, reversible, continuous auxiliary hydraulic flow control • Genie manual Quick-Attach™ system • Power assisted steering • Variable speed hydrostatic drive • Limited slip front axle differential • Inboard wet disc service brakes • Wet disc spring applied parking brake • 12 x 16.5 in, air-filled rough terrain tires • Fenders (set of 4) • ROPS/FOPS canopy • Single multi-function proportional joystick • Tilt steering column • Illuminated gauge and switch panels • Full gauge cluster with engine diagnostics • Machine level indicator • Right-side screen guard • 48 inch carriage and pallet forks • Boom angle indicator • Reverse motion alarm • 3 in (7.6 cm) retractable seat belt • Lift shackle at boom tip • Telematics ready 	<p>Productivity Options</p> <ul style="list-style-type: none"> • Fully enclosed cab (includes full glass, heater, defroster, wipers, washer and split door) • Fully enclosed cab with air conditioner • Adjustable suspension seat • Flashing beacon • Work lights (High output LED cab, boom and rear) • Road lights (High output LED 2 front mounted, 1 backup, 2 rear stop/turn/tail) • Rear proximity alarm • Fire extinguisher • Brick guard • Secondary auxiliary hydraulics circuit <p>Engine Options</p> <ul style="list-style-type: none"> • Deutz TD 2.9 L04 Tier 4i diesel 74 hp (55.4 kW) • Oil pan heater <p>Tire Options</p> <ul style="list-style-type: none"> • 12 x 16.5 in, solid rough terrain tires • 12 x 16.5 in, foam-filled rough terrain tires <p>Attaching System Options</p> <ul style="list-style-type: none"> • Universal skid steer adapter • Secondary auxiliary hydraulics 	<ul style="list-style-type: none"> • Hydraulic Quick-Attach™ system <p>Attachment Options</p> <ul style="list-style-type: none"> • Carriages <ul style="list-style-type: none"> - 48 in (1.22 m) side shift carriage, +/- 5 in (12.7 cm) - 48 in (1.22 m) rotating fork carriage, +/- 14° • Forks <ul style="list-style-type: none"> - 60 in (1.52 m) pallet forks (set of two) 2 x 4 x 60 in (.05 x .10 x 1.52 m) • Buckets <ul style="list-style-type: none"> - 66 in bucket with bolt-on cutting edge, .50/.65 yd3 struck/heaped - 78 in, .68 yd3 scrap grapple bucket • 6 ft truss boom • Universal skid steer adapter



Genie United States

6464 185th Ave. NE
Redmond, WA 98052
Telephone +1 (425) 881-1800
Toll Free in USA/Canada +1 (800)-536-1800
Fax +1 (425) 883-3475

Distributed By:



Effective Date: January, 2016. Product specifications and prices are subject to change without notice or obligation. The photographs and/or drawings in this document are for illustrative purposes only. Refer to the appropriate Operator's Manual for instructions on the proper use of this equipment. Failure to follow the appropriate Operator's Manual when using our equipment or to otherwise act irresponsibly may result in serious injury or death. The only warranty applicable to our equipment is the standard written warranty applicable to the particular product and sale and we make no other warranty, express or implied. Products and services listed may be trademarks, service marks or trade names of Terex Corporation and/or their subsidiaries in the USA and many other countries. Terex, Genie and AWP are registered trademarks of Terex Corporation or its subsidiaries. © 2016 Terex Corporation.