


[Home](#) → [Spec Search](#) → [All Types](#) → [Telescopic Forklift](#) → [JLG](#) → [g642a](#)

JLG G642A TELESCOPIC FORKLIFT

[VIEW ARTICLES ON THIS ITEM](#)

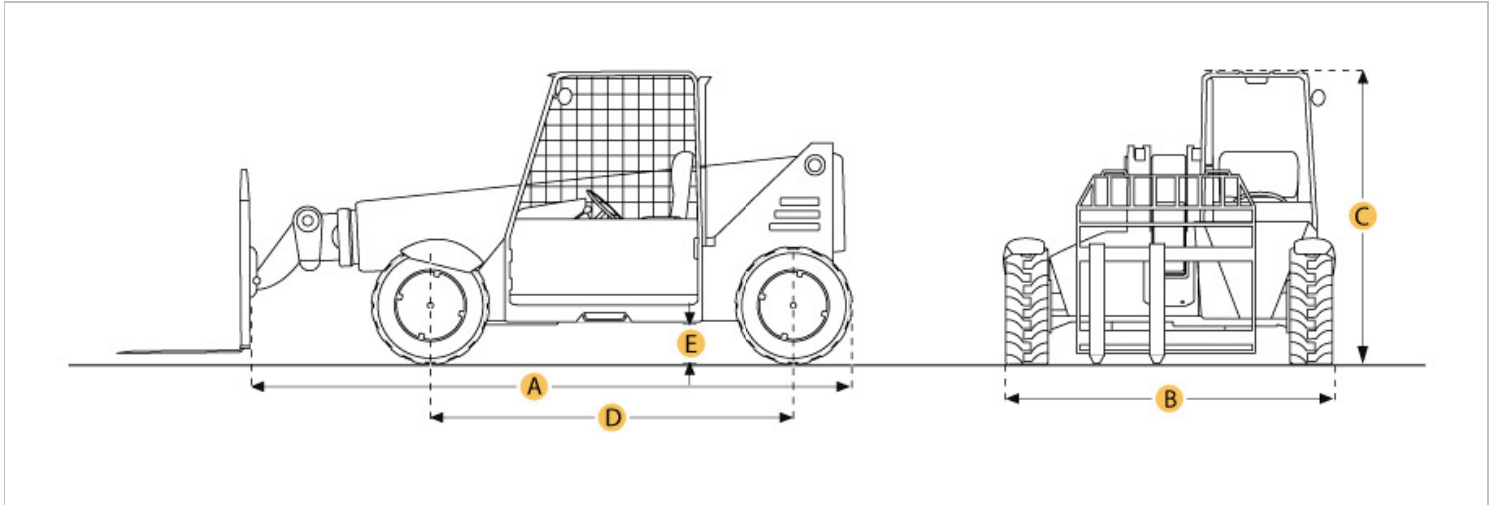
 Print specification

Looking to purchase this item?

[Find a JLG g642a Telescopic Forklift](#) being sold at Ritchie Bros. auctions.

Need to sell equipment?

[Complete this form](#) and a Ritchie Bros. representative will contact you.



Selected Dimensions

Dimensions		
A. LENGTH TO FORK FACE	17.7 ft in	5400 mm
B. WIDTH OVER TIRES	7.9 ft in	2410 mm
C. OVERALL HEIGHT	7.8 ft in	2380 mm
D. WHEELBASE	10.7 ft in	3250 mm
E. GROUND CLEARANCE	16.4 ft in	416 mm

Lift

F. MAX LIFT HEIGHT	42 ft in	12800 mm
G. MAX FORWARD REACH	29 ft in	8830 mm

Specification

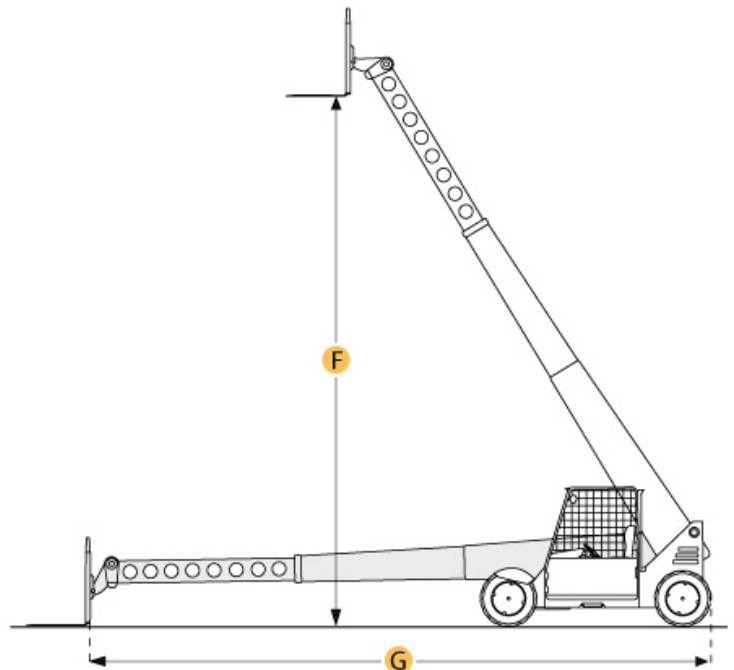
Engine		
MAKE	John Deere	
MODEL	e 4045TF150	
GROSS POWER	99.2 hp	74 kw

Operational		
OPERATING WEIGHT	20399.4 lb	9253 kg
FUEL CAPACITY	37.2 gal	141 L
HYDRAULIC SYSTEM FLUID CAPACITY	40 gal	151.4 L
OPERATING VOLTAGE	12 V	
ALTERNATOR SUPPLIED AMPERAGE	63 amps	
DRAWBAR PULL	18000 lb	8164.7 kg
TIRE SIZE	13.00x24 12PR	

Transmission		
TYPE	Dana VDT-12000 powershift	
NUMBER OF FORWARD GEARS	4	
NUMBER OF REVERSE GEARS	3	
MAX SPEED - FORWARD	19.5 mph	31.4 km/h

Hydraulic		
PUMP TYPE	single-section gear	

Lift



MAX LIFT CAPACITY	6600 lb	2993.7 kg
MAX LIFT HEIGHT	42 ft in	12800 mm
MAX LOAD AT MAX HEIGHT	6000 lb	2721.6 kg
MAX FORWARD REACH	29 ft in	8830 mm
MAX LOAD AT MAX REACH	1000 lb	453.6 kg

Dimensions

LENGTH TO FORK FACE	17.7 ft in	5400 mm
WIDTH OVER TIRES	7.9 ft in	2410 mm
OVERALL HEIGHT	7.8 ft in	2380 mm
WHEELBASE	10.7 ft in	3250 mm
GROUND CLEARANCE	16.4 ft in	416 mm
TURNING RADIUS OUTSIDE TIRES	12 ft in	3650 mm

© 2007-2016 RitchieSpecs Equipment Specifications Ritchie Bros. Auctioneers © | [Terms of Use](#) | [Privacy Statement](#)
OEM specifications are provided for base units. Actual equipment might vary with options.