


[Home](#) → [Spec Search](#) → [All Types](#) → [Boom Lift](#) → [Genie](#) → Z60/34

GENIE Z60/34 BOOM LIFT

[VIEW ARTICLES ON THIS ITEM](#)

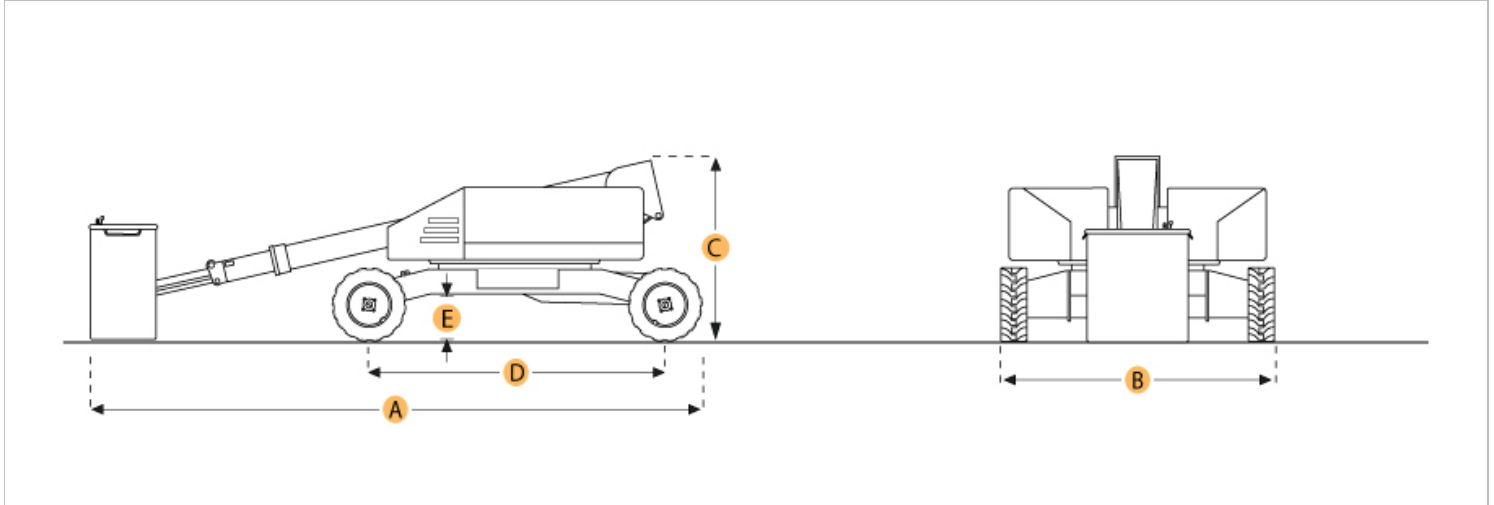
 Print specification

Looking to purchase this item?

[Find a Genie Z60/34 Boom Lift](#) being sold at Ritchie Bros. auctions.

Need to sell equipment?

[Complete this form](#) and a Ritchie Bros. representative will contact you.



Selected Dimensions

Dimensions

A. OVERALL LENGTH	23.5 ft in	7150 mm
B. OVERALL WIDTH	8.1 ft in	2460 mm
C. OVERALL HEIGHT - MAST LOWERED	8.8 ft in	2690 mm
D. WHEELBASE	8.2 ft in	2510 mm
E. GROUND CLEARANCE	16.1 in	410 mm

Platform

F. MAX PLATFORM HEIGHT	60.3 ft in	18390 mm
G. MAX HORIZONTAL REACH	36.3 ft in	11050 mm

Specification

Engine

MAKE	Ford	
MODEL	DSG-423	
GROSS POWER	75 hp	55.9 kw

Operational

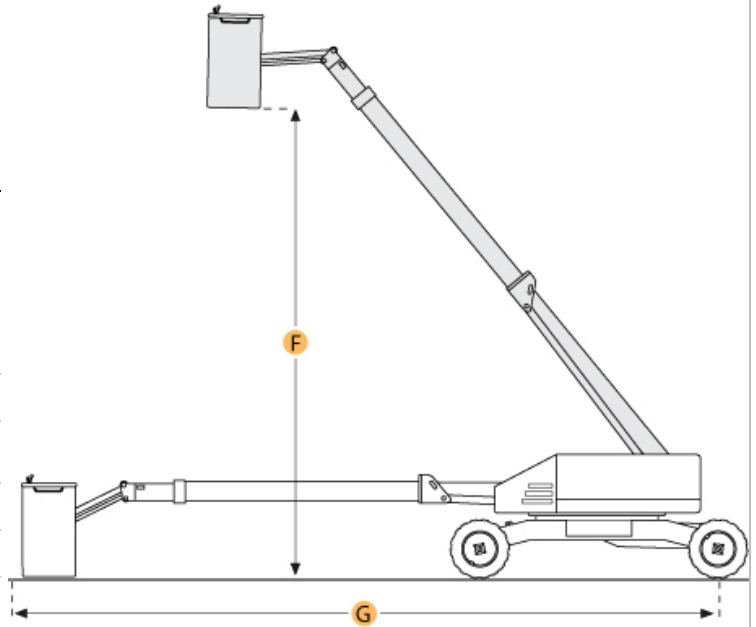
OPERATING WEIGHT	22520.2 lb	10215 kg
FUEL CAPACITY	20 gal	75.7 L
HYDRAULIC SYSTEM FLUID CAPACITY	45 gal	170.3 L
MAX SPEED	3 mph	4.8 km/h
TIRE SIZE	385/65 D19.5 12PLY	

Platform

MAX WORKING HEIGHT	66.9 ft in	20390 mm
MAX PLATFORM HEIGHT	60.3 ft in	18390 mm
MAX HORIZONTAL REACH	36.3 ft in	11050 mm
MAX PLATFORM WEIGHT CAPACITY	500.4 lb	227 kg
PLATFORM LENGTH	72 in	1830 mm
PLATFORM WIDTH	29.9 in	760 mm
PLATFORM ROTATION	180 degrees	

Dimensions

OVERALL LENGTH	23.5 ft in	7150 mm
----------------	------------	---------



OVERALL WIDTH	8.1 ft in	2460 mm
OVERALL HEIGHT - MAST LOWERED	8.8 ft in	2690 mm
WHEELBASE	8.2 ft in	2510 mm
TURNING RADIUS	19.9 ft in	6070 mm
GROUND CLEARANCE	16.1 in	410 mm



Viewing Photo 1 of 5