


[Home](#) → [Spec Search](#) → [lift](#) → [Boom Lift](#) → [JLG](#) → 1250AJP

JLG 1250AJP BOOM LIFT

[VIEW ARTICLES ON THIS ITEM](#)

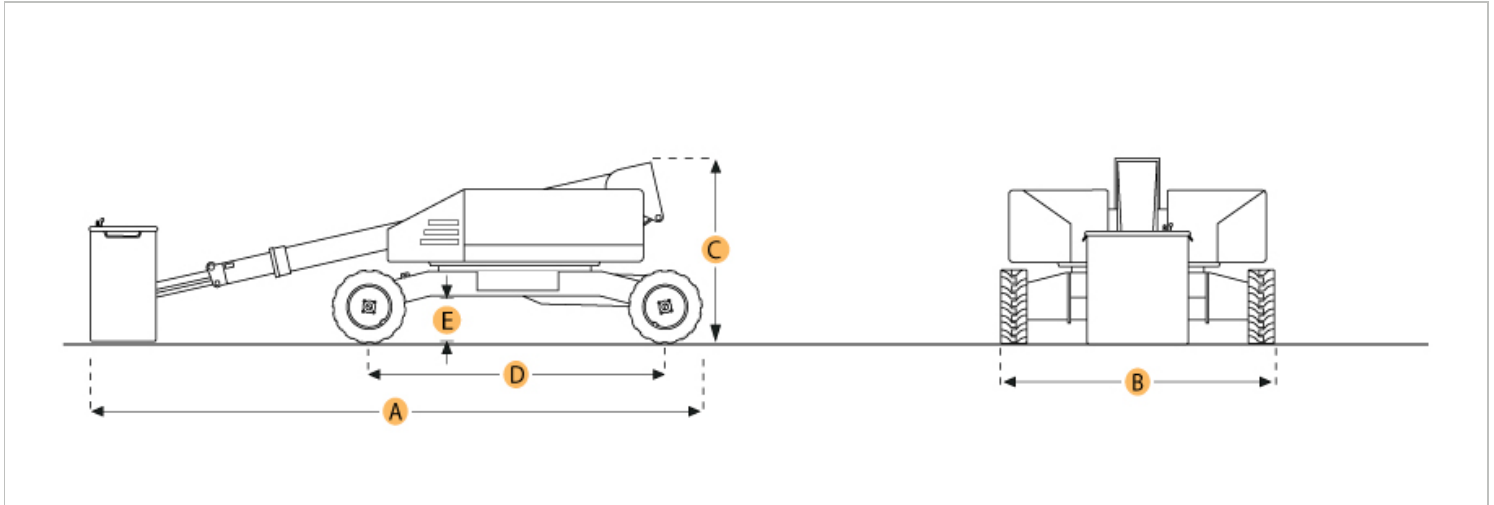
 Print specification

Looking to purchase this item?

[Find a JLG 1250AJP Boom Lift](#) being sold at Ritchie Bros. auctions.

Need to sell equipment?

[Complete this form](#) and a Ritchie Bros. representative will contact you.



Selected Dimensions

Dimensions

A. OVERALL LENGTH	37.6 ft in	11450 mm
B. OVERALL WIDTH	8.2 ft in	2490 mm
C. OVERALL HEIGHT - MAST LOWERED	10 ft in	3050 mm
D. WHEELBASE	12.5 ft in	3810 mm
E. GROUND CLEARANCE	11.8 in	300 mm

Platform

F. MAX PLATFORM HEIGHT	125 ft in	38100 mm
G. MAX HORIZONTAL REACH	63.2 ft in	19250 mm

Specification

Engine

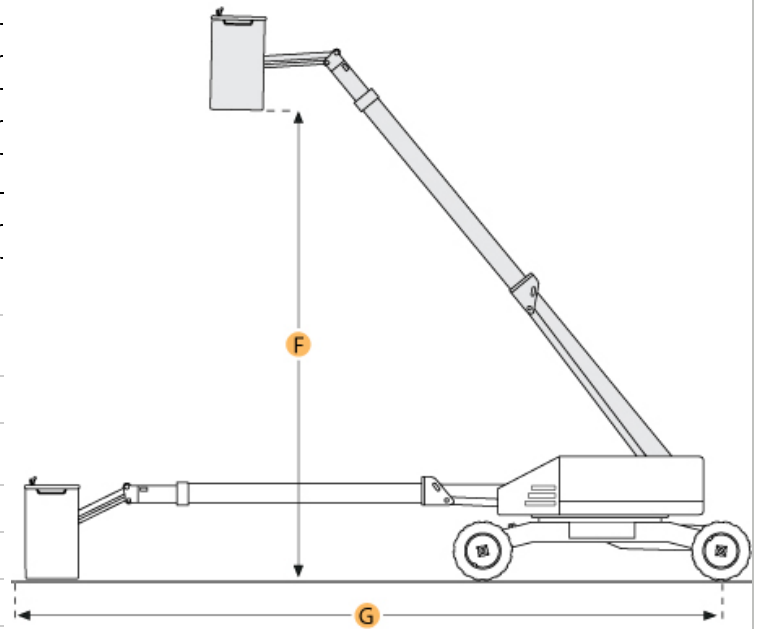
MAKE	Deutz	
MODEL	BF4M 2011	
GROSS POWER	87.2 hp	65 kw
FUEL TYPE	Diesel	

Operational

OPERATING WEIGHT	43999.9 lb	19958 kg
FUEL CAPACITY	30.9 gal	117 L
HYDRAULIC SYSTEM FLUID CAPACITY	54.9 gal	208 L
MAX SPEED	3.2 mph	5.2 km/h
TIRE SIZE	445/50D710	
TIRE FILL/TYPE	Foam/Lug Tread	

Platform

MAX WORKING HEIGHT	ft in	mm
MAX PLATFORM HEIGHT	125 ft in	38100 mm
MAX HORIZONTAL REACH	63.2 ft in	19250 mm
MAX PLATFORM WEIGHT CAPACITY	1000.9 lb	454 kg
PLATFORM LENGTH	96.1 in	2440 mm
PLATFORM WIDTH	35.8 in	910 mm
PLATFORM ROTATION	180 degrees	



Dimensions

OVERALL LENGTH	37.6 ft in	11450 mm
OVERALL WIDTH	8.2 ft in	2490 mm
OVERALL HEIGHT - MAST LOWERED	10 ft in	3050 mm
WHEELBASE	12.5 ft in	3810 mm
TURNING RADIUS	22.5 ft in	6860 mm
GROUND CLEARANCE	11.8 in	300 mm

© 2007-2016 RitchieSpecs Equipment Specifications Ritchie Bros. Auctioneers © | [Terms of Use](#) | [Privacy Statement](#)
OEM specifications are provided for base units. Actual equipment might vary with options.