

[Home](#) → [Spec Search](#) → [lifting %](#) → [Boom Lift](#) → [Genie](#) → [S80](#)

GENIE S80 BOOM LIFT

[VIEW ARTICLES ON THIS ITEM](#)

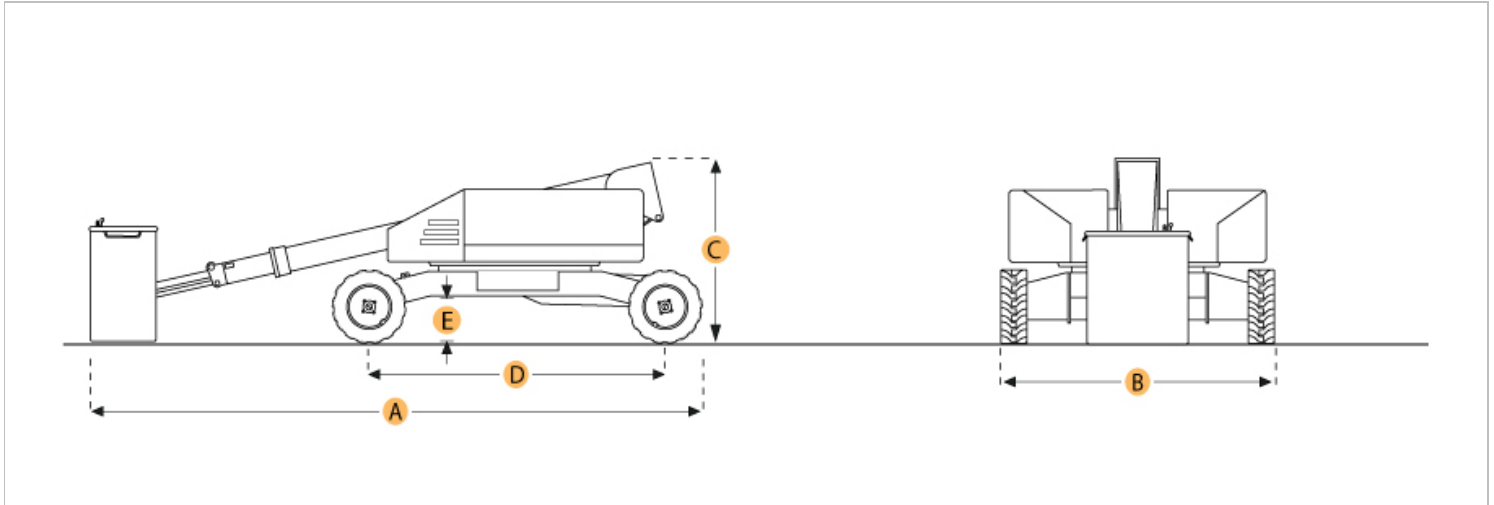
 Print specification

Looking to purchase this item?

[Find a Genie S80 Boom Lift](#) being sold at Ritchie Bros. auctions.

Need to sell equipment?

[Complete this form](#) and a Ritchie Bros. representative will contact you.



Selected Dimensions

Dimensions

A. OVERALL LENGTH	36.4 ft in	11100 mm
B. OVERALL WIDTH	8.2 ft in	2500 mm
C. OVERALL HEIGHT - MAST LOWERED	8.2 ft in	2500 mm
D. WHEELBASE	9.2 ft in	2800 mm
E. GROUND CLEARANCE	1.3 in	33 mm

Platform

F. MAX PLATFORM HEIGHT	80.1 ft in	24400 mm
G. MAX HORIZONTAL REACH	71.5 ft in	21800 mm

Specification

Engine

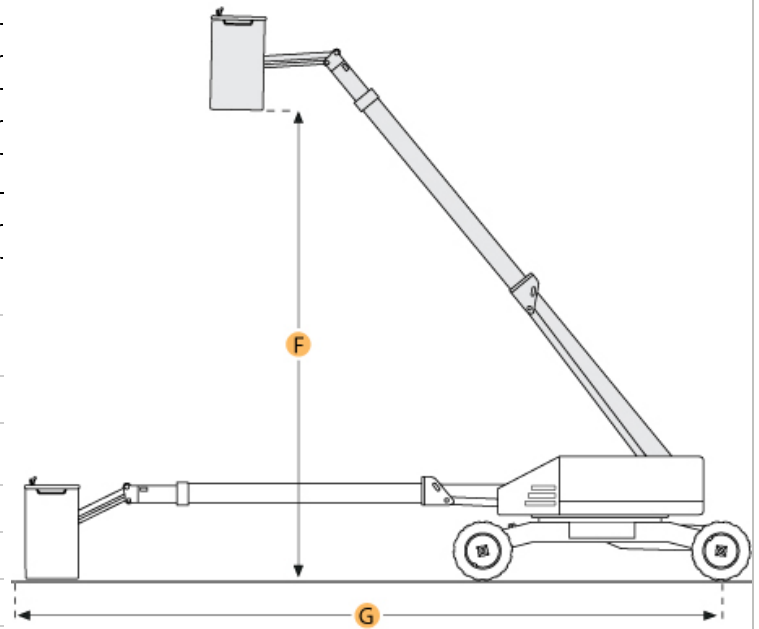
MAKE	Deutz	
MODEL	TD2011 L04i	
GROSS POWER	74 hp	55.2 kw
FUEL TYPE	diesel	

Operational

OPERATING WEIGHT	35501 lb	16103 kg
FUEL CAPACITY	34.9 gal	132 L
HYDRAULIC SYSTEM FLUID CAPACITY	39.6 gal	150 L
MAX SPEED	3.5 mph	5.6 km/h
TIRE SIZE	18-625 16PLY	
TIRE FILL/TYPE	Foam	

Platform

MAX WORKING HEIGHT	86 ft in	26200 mm
MAX PLATFORM HEIGHT	80.1 ft in	24400 mm
MAX HORIZONTAL REACH	71.5 ft in	21800 mm
MAX PLATFORM WEIGHT CAPACITY	500.4 lb	227 kg
PLATFORM LENGTH	96.1 in	2440 mm
PLATFORM WIDTH	35.8 in	910 mm
PLATFORM ROTATION	160 degrees	



Dimensions

OVERALL LENGTH	36.4 ft in	11100 mm
OVERALL WIDTH	8.2 ft in	2500 mm
OVERALL HEIGHT - MAST LOWERED	8.2 ft in	2500 mm
WHEELBASE	9.2 ft in	2800 mm
TURNING RADIUS	21.7 ft in	6600 mm
GROUND CLEARANCE	1.3 in	33 mm



Viewing Photo 1 of 5