

260 MRT SERIES

MINI ROUGH TERRAIN SCISSOR LIFTS

JLG
reachingout.

Performance

Platform Height-Elevated	26 ft	7.92 m
Platform Capacity	1,250 lb	567 kg
Capacity on Deck Extension	300 lb	136 kg
Lift/Lower Speed	27/21 seconds	
Maximum Drive Height	Full Height	
Gross Vehicle Weight*	7,360 lb	3,338 kg
Drive Speed-Lowered	3.5 mph	5.6 km/h
Drive Speed-Elevated	0.4 mph	0.6 km/h
Gradeability	35%	
Turning Radius (Inside)	84 in.	2.13 m

* Certain options or country standards will increase weight.

Standard Specifications

Engine

Make and Model		
Dual Fuel		
Kubota	24.5 hp	18.3 kW
Diesel Fuel		
Kubota	23.5 hp	17.5 kW
Fuel Tank Capacity	7.5 gal.	28.39 L

Tires

· Standard	26 x 12 Lug Tread
· Optional	26 x 12 Foam Filled

Brakes

- Spring Applied Hydraulically Released

Hydraulic Reservoir

· Capacity	15 gal.	56.78 L
------------	---------	---------

Standard Features

- 65 x 102 in. (1.65 x 2.59 m) Steel Platform
- 4 ft (1.22 m) Manual Roll-Out Deck Extension
- Fold-Down Platform Rails
- Moveable, Removable Platform Control Box
- Cross Corner Four-wheel Drive
- Proportional Hydrostatic Drive Control with Thumb Steer
- Proportional Lift Up
- 110V-AC Receptacle in Platform
- Horn
- Hourmeter
- Tilt Light and Alarm
- Lubrication-Free Scissor Arm Bushings
- Scissor Maintenance Prop
- Manual Descent Pull Cable
- Heavy Gauge Steel Chassis Hoods
- Nickel Plated Pins, Yellow Zinc-Chromate Plated Fasteners
- All Motion Alarm



Accessories & Options

- Leveling Jacks
- Platform Work Lights
- Full Swing-Gate
- 110V-AC Generator
- Flashing Amber Beacon
- 33.5 lb (19.73 kg) Propane Tank
- Hydraulic Leveling Jacks

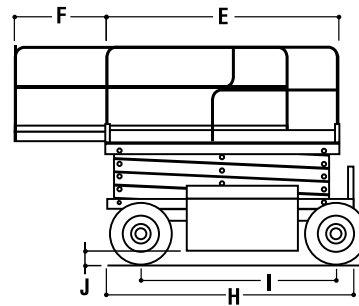
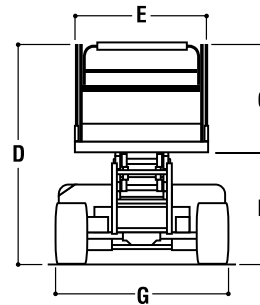
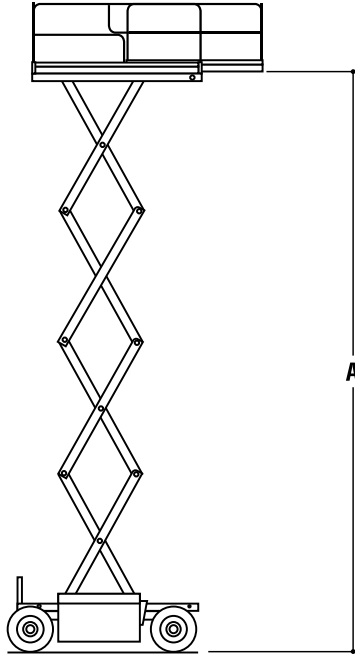
260 MRT SERIES

MINI ROUGH TERRAIN SCISSOR LIFTS



Dimensions

All dimensions are approximate.



A. Platform Height Elevated	26 ft (7.92 m)
B. Platform Height Lowered	4 ft 1.5 in. (1.26 m)
C. Platform Railing Height	3 ft 7.5 in. (1.1 m)
D. Overall Height	7 ft 9.5 in. (2.37 m)
E. Platform Size	65 x 102 in. (1.65 x 2.59 m)
F. Platform Extension	4 ft (1.22 m)

G. Overall Width	5 ft 9 in. (1.75 m)
H. Overall Length (no outriggers)	8 ft 9 in. (2.67 m)
I. Wheelbase	6 ft 6 in. (1.98 m)
J. Ground Clearance	8 in. (20 cm)

The JLG "1 & 5" Warranty

JLG Industries, Inc. backs its products with its exclusive "1 & 5" Warranty. We provide coverage on all products for one (1) full year, and cover all specified major structural components for five (5) years. Due to continuous product improvements, we reserve the right to make specification and/or equipment changes without prior notification. This machine meets or exceeds applicable OSHA Regulations in 29 CFR 1910.67, 29 CFR 1926.453, ANSI A92.5-2006, and CSA Standard CAN3-B354.2-M82, as originally manufactured for intended applications.

Form No.: SS-260MRT-100-60M
Part No.: 3131404
R031410
Printed in USA



JLG Industries, Inc.
1 JLG Drive
McConnellsburg, PA 17233-9533
Telephone 717-485-5161
Toll-free in US 877-JLG-LIFT
Fax 717-485-6417
www.jlg.com

An Oshkosh Corporation Company